

ET-P672(H)325-340WW/WB

KEY FEATURES



Bankable products



Top rank in Photon yield measurement



Safety for salt mist corrosion
Safety for ammonia corrosion



Safety for fire risk
(Class C tested in TÜV SÜD and Rheinland)



Outstanding power output capability at low irradiance



Triple 100% Electroluminescence (EL) tests minimize breakage rate



World 1st company to pass "Thresher Test" and "On-site Power Measurement Validation" certificate



Anti-PID products, passing TÜV SÜD system voltage durability test



Tested and certified according to newest IEC standard
IEC61730-1:2016 IEC61215-1:2016
IEC61730-2:2016 IEC61215-2:2016



MANAGEMENT SYSTEM

ISO 9001: Quality management system
ISO 14001: Standard for environmental management system
OHSAS 18001: International standard for occupational health and safety assessment system

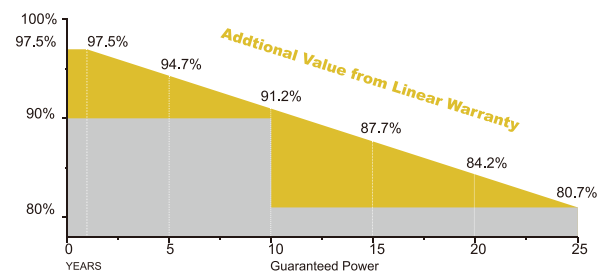
INSURANCE



PRODUCT CERTIFICATES



WARRANTY



Guarantee on product material and workmanship



linear power output warranty

-H ET-P672XXXZY: Maximum System Voltage 1000 VDC.
ET-P672HXXXZY: Maximum System Voltage 1500 VDC.

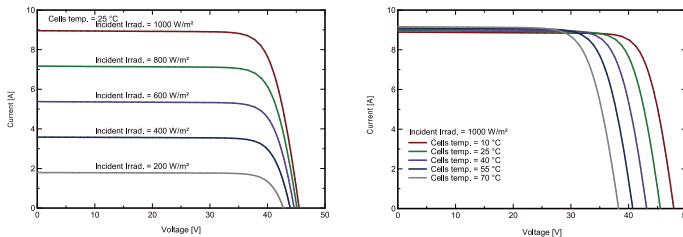
ET-P672(H) SERIES 6 INCH 72 CELLS

Electrical Characteristics

| Module Type | ET-P672325WW/WB ET-P672H325WW/WB | | ET-P672330WW/WB ET-P672H330WW/WB | | ET-P672335WW/WB ET-P672H335WW/WB | | ET-P672340WW/WB ET-P672H340WW/WB | |
|--|-------------------------------------|------|-------------------------------------|------|-------------------------------------|------|-------------------------------------|------|
| | STC | NOCT | STC | NOCT | STC | NOCT | STC | NOCT |
| Maximum Power -P _{mp} (W) | 325 | 240 | 330 | 244 | 335 | 244 | 340 | 252 |
| Open Circuit Voltage -V _{oc} (V) | 45.7 | 42.2 | 45.9 | 42.4 | 45.9 | 42.4 | 46.4 | 42.8 |
| Short Circuit Current -I _{sc} (A) | 9.03 | 7.30 | 9.12 | 7.37 | 9.12 | 7.37 | 9.30 | 7.49 |
| Maximum Power Voltage -V _{mp} (V) | 37.3 | 34.8 | 37.5 | 35.0 | 37.5 | 35.0 | 37.9 | 35.5 |
| Maximum Power Current -I _{mp} (A) | 8.72 | 6.89 | 8.80 | 6.98 | 8.80 | 6.98 | 8.98 | 7.10 |
| Module Efficiency STC-η _m (%) | 16.75/16.63 | | 17.01/16.89 | | 17.01/16.89 | | 17.52/17.40 | |
| Power Tolerance (W) | (0,+4.99) | | | | | | | |
| Maximum System Voltage (V) | 1000VDC / 1500VDC | | | | | | | |
| Maximum Series Fuse Rating (A) | 20A | | | | | | | |
| Pmax Temperature Coefficient | -0.39 %/°C | | | | | | | |
| Voc Temperature Coefficient | -0.30 %/°C | | | | | | | |
| Isc Temperature Coefficient | +0.05 %/°C | | | | | | | |
| Operating Temperature | -40~+85 °C | | | | | | | |
| Nominal Operating Cell Temperature | 45±2 °C | | | | | | | |

STC: Irradiance 1000 W/m² module temperature 25°C AM=1.5
NOCT: Irradiance 800 W/m² ambient temperature 20°C wind speed :1m/s Power measurement tolerance: +/-3%

Curve



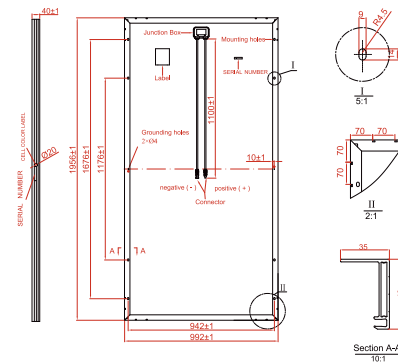
Mechanical Specifications

| | |
|--------------------|---|
| External Dimension | 1956 x 992 x 40mm/1970 x 992 x 40mm |
| Weight | 21.5kg/22.0kg |
| Solar Cells | poly crystalline 156.75 x 156.75 mm (72pcs) |
| Front Glass | 3.2 mm AR coating tempered glass, low iron |
| Frame | Anodized aluminium alloy |
| Junction Box | IP67 |
| Output Cables | 4.0 mm ² , cable length:1100 mm |
| Connector | MC4 Compatible |
| Mechanical Load | 5400 Pa |

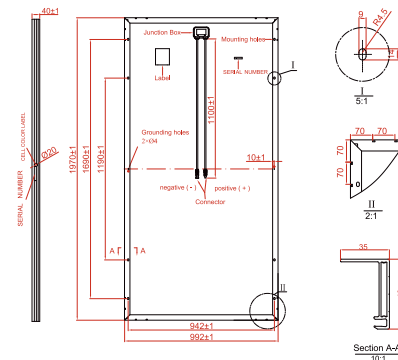
Packing Configuration

| | | |
|-----------------------|-------------------------------------|-------|
| External Dimension | 1956 x 992 x 40mm/1970 x 992 x 40mm | |
| Container | 20'GP | 40'GP |
| Pieces per Pallet | 27 | 27 |
| Pallets per Container | 10 | 22 |
| Pieces per Container | 270 | 594 |

Technical drawing(ET-P672XXXZY)



Technical drawing(ET-P672HXXXZY)



* All Dimensions in mm.
* The above drawing is a graphical representation of the product.
For engineering quality drawings please contact ET Solar.